

WASHER

Repair Parts List

MODEL NUMBER

MAV7357AWQ

When requesting service or ordering parts, always provide the following information:

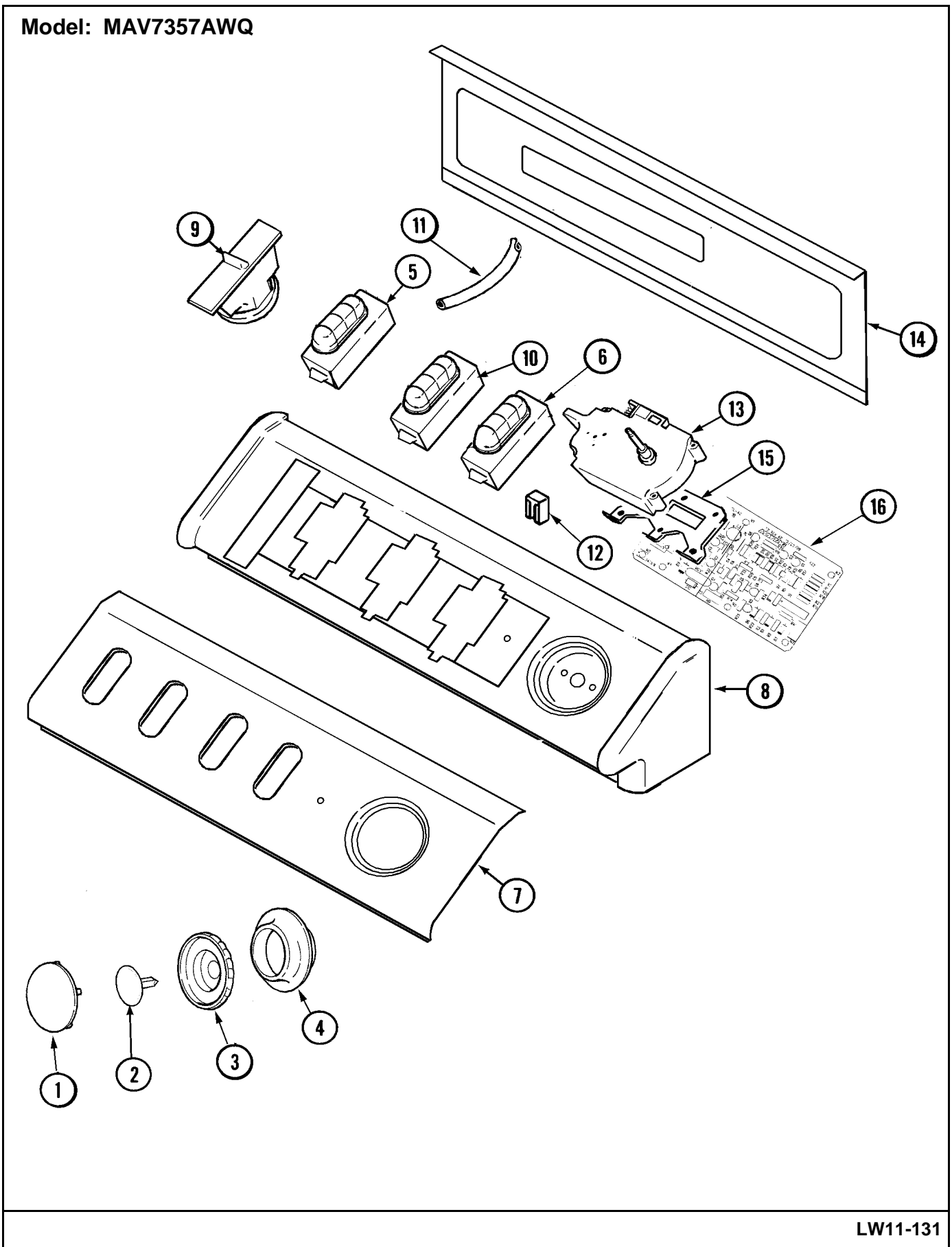
- Product Type
- Part Number
- Model Number
- Part Description

MAYTAG®

©2005 Maytag Services

Section: CONTROL PANEL

Model: MAV7357AWQ



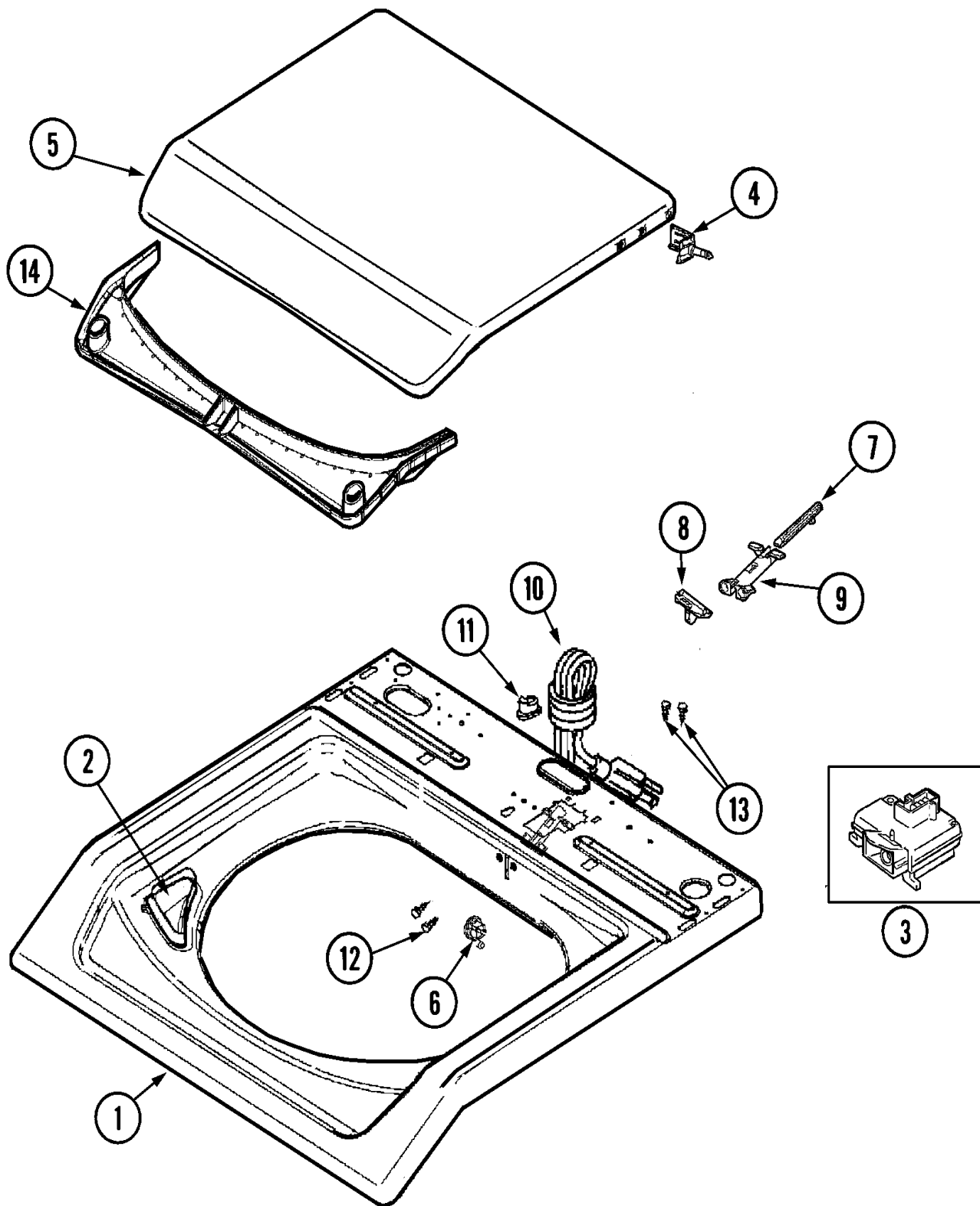
Section: CONTROL PANEL

No.	Part No.	Description	Series	Qty
1	33002347	TIMER KNOB INSERT/CAP	10	1
2	22002997	PIN, LOCKING	10	1
3	22002996	KNOB, TIMER (GRY)	10	1
4	22003005	SKIRT, TIMER KNOB (BSQ)	10	1
5	22003006	SWITCH, (4 BUTTON TEMP) (BSQ) Note: BUTTONS 1&4 USE 22003875 22003876	BUTTONS 2&3 USE	10 1
6	22003860	SWITCH, PUSH BUTTON / BISQUE Note: BUTTONS 1&4 USE 22003876 22003875	BUTTONS 2&3 USE	10 1
7	22003865	CONTROL PANEL, FACIA - BSQ	10	1
8	33002327	CONSOLE (BSQ) Note: CONSOLE (BSQ)	10	1
-	22002925	SCREW Note: SCREW, CONSOLE BACK TO TOP	10	2
9	22002745	SWITCH, PRESSURE (BSQ)	10	1
-	22003461	PAD, PRESSURE SWITCH	10	1
10	22002711	SWITCH, 4 BUTTON OPTION / WHT Note: BUTTONS 1&4 USE 22001788 22001789	BUTTONS 2&3 USE	10 1
11	22003237	AIR DOME HOSE	10	1
-	903115	LOCK LIGHT	10	1
12	22001948	LENS, INDICATOR LIGHT	10	1
13	22003561	TIMER	10	1
14	22002529	CONSOLE BACK PANEL	10	1
-	Y22002339	SCREW	10	1
15	22003003	BRACKET, ATC / TIMER	10	1
16	22002857	BOARD, CONTROL	10	1

*Color Code (-)=Not Shown #=Series, Serial Prefix or Run No., N=Not Available

Section: TOP

Model: MAV7357AWQ



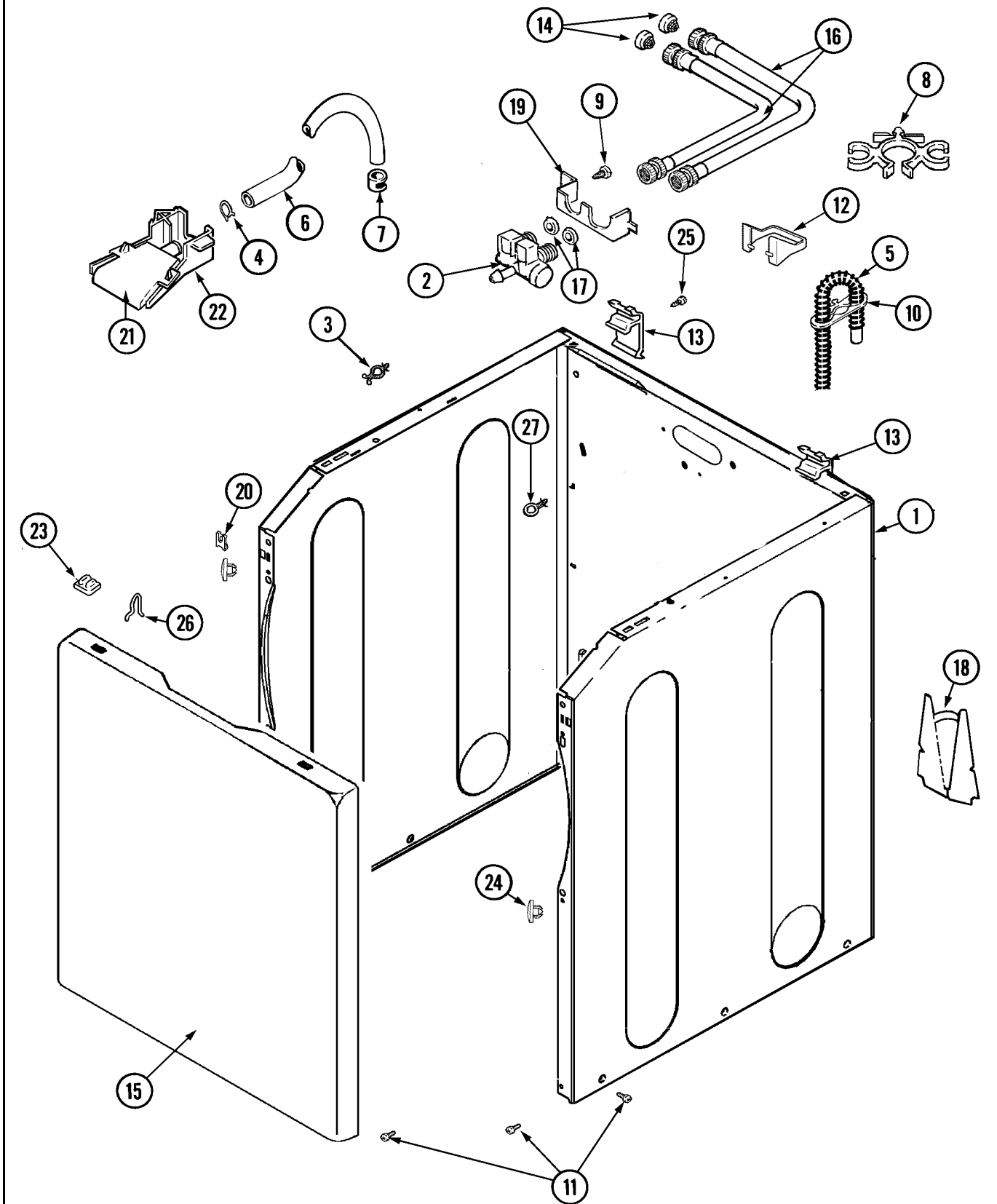
Section: TOP

No.	Part No.	Description	Series	Qty
1	22003469	COVER, TOP (BSQ-ASPKD)	10	1
2	22002802	CUP, BLEACH (BSQ)	10	1
3	22003804	LID SWITCH	10	1
4	22002752	HINGE PIN (BSQ)	10	1
5	22002871	LID, WASHER (BSQ)	10	1
6	22002753	BUSHING, HINGE	10	2
7	22002754	PLUNGER	10	1
8	22002756	CAM, LID (BSQ) Note: CAM, LID (BSQ)	10	1
9	22002757	GUIDE TUBE	10	1
10	2016090	SCREW, LID SWITCH TO BRACKET Note: SCREW/WASHER (GUIDE TUBE)	10	2
11	Y705026	SCREW Note: SCREW, GROUNDING	10	2
12	22002766	CONDENSATE SEAL (BSQ)	10	1

*Color Code (-)=Not Shown #=Series, Serial Prefix or Run No., N=Not Available

Section: CABINET

Model: MAV7357AWQ



LW12-24

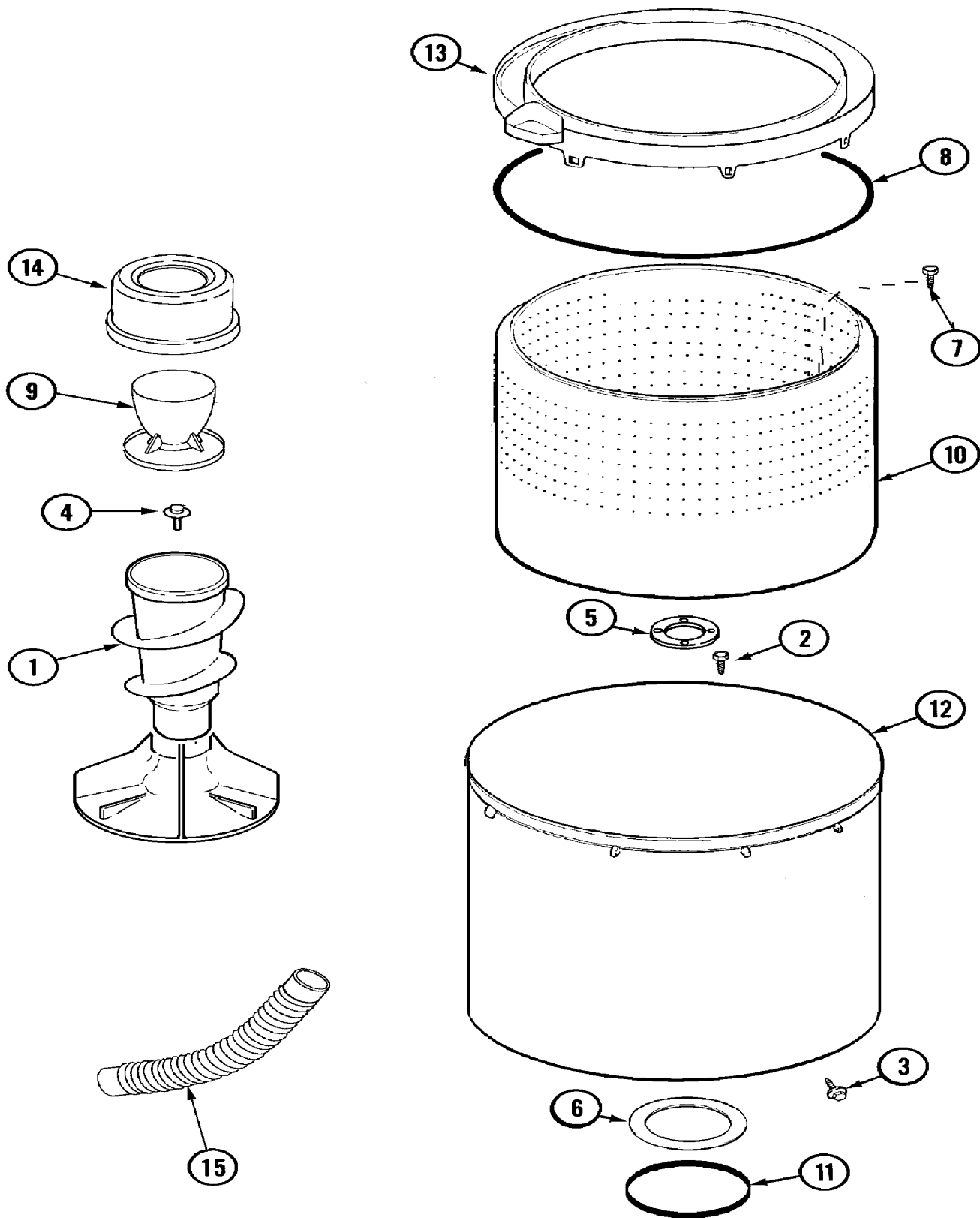
Section: CABINET

No.	Part No.	Description	Series	Qty
-	33002190	SCREW (#10-3/8") Note: SCREW, CABINET BACK TO BASE	10	3
1	N 22003554	CABINET ASSY. (BSQ-AS PKD)	10	1
-	22002840	BRACE, CABINET (LT)	10	1
-	22002839	BRACE, CABINET (RT)	10	1
2	22003372	VALVE, WATER W/THERMISTER	10	1
3	22002852	RETAINER, WIRE	10	1
4	22002838	CLAMP, SPRING----S	10	1
-	22003596	CLAMP, HOSE Note: CLAMP, DRAIN HOSE	10	1
5	22003410	HOSE, DRAIN	10	1
6	22002761	HOSE, INJECTOR	10	1
7	216169	CLAMP,HOSE-INJEC.HOSE TO VALVE Note: CLAMP, INJECTOR HOSE	10	1
8	22002765	CLIP, HOSE	10	1
9	33002190	SCREW (#10-3/8") Note: SCREW, BRACKET TO CABINET	10	1
10	22002701	RETAINER, DRAIN HOSE	10	1
11	22003409	SCREW----NA Note: SCREW, CABINET MTG.	10	6
12	22003429	RETAINER, FILL HOSE	10	1
13	22003367	HINGE, PLASTIC	10	2
14	200961	SCREEN WASHER, INLET HOSE	10	2
-	33002190	SCREW (#10-3/8") Note: SCREW, PANEL TO BRACE	10	2
-	22002854	PAD, SOUND BARRIER	10	1
-	22002293	INSULATION, CABINET	10	1
15	Y22002738	PANEL, FRONT (BSQ) Note: PANEL, FRONT (BSQ)	10	1
-	22002960	STRAINER, WASHER INLET Note: STRAINER, WASHER INLET	10	2
16	22002764	INLET HOSE ASSY. (COLD) Note: INLET HOSE ASSY. (COLD)	10	1
16	22002763	INLET HOSE ASSY. (HOT) Note: INLET HOSE ASSY. (HOT)	10	1
17	Y013783	GASKET, INLET HOSE Note: WASHER, INLET HOSE	10	4
18	22002704	COVER, DRAIN HOSE	10	1
-	33002190	SCREW (#10-3/8") Note: SCREW, DRAIN HOSE COVER	10	1
19	22003376	BRACKET, WATER VALVE	10	1
20	22002748	FRONT PANEL BRACKET Note: FASTENER, FRONT PANEL	10	2
21	22003374	UPPER WATER INJECTOR, FLUME	10	1
-	22004053	LOWER INJECTOR, FLUME		1
22	22003375	LOWER WATER INJECTOR, FLUME	10	1
23	22002013	STOP, SHIPPING	10	3
24	22002965	HOLE PLUG	10	2
25	22001995	SCREW Note: SCREW, HINGE	10	2
-	22003086	CLIP, AIR DOME HOSE	10	1
26	25-7220	CLIP, CABINET TOP	10	2

*Color Code (-)=Not Shown #=Series, Serial Prefix or Run No., N=Not Available

Section: TUB

Model: MAV7357AWQ



LW13-38

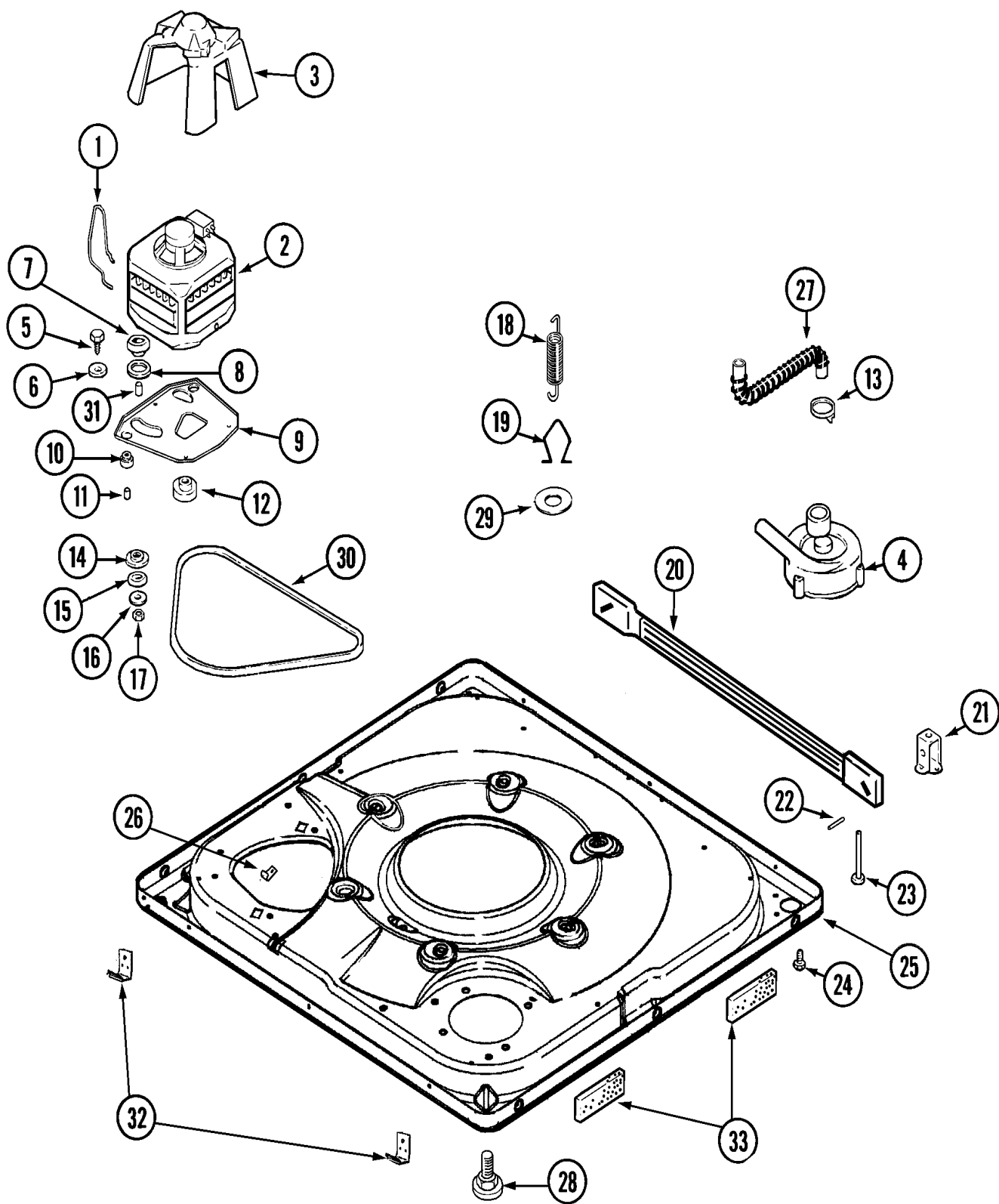
Section: TUB

No.	Part No.	Description	Series	Qty
-	22004042	AGITATOR/AUGER ASSY (AS PK)	12	1
1	22003885	AUGER/AGITATOR ASSY (AS PACK)	10	1
2	21001510	SCREW Note: SCREW, TUB/BEARING/SEAL HSG	10	4
3	22002933	SCREW Note: SCREW, TUB/TUB SUPPORT	10	6
4	25-7948	SCREW, AGITATOR RETENTION Note: BOLT, AGITATOR	10	1
5	35-3685	GASKET, BASKET TO CENTERPOST Note: GASKET, BASKET	10	1
6	35-3686	GASKET, TUB TO HOUSING Note: GASKET, TUB	10	1
7	25-7967	SCREW, SHOULDER Note: SCREW, BASKET	10	4
8	35-2328	SEAL, TUB TOP Note: SEAL, TUB TOP	10	1
9	21001599	DISPENSER, FABRIC SOFTENER	10	1
10	22002741	SPINNER ASSEMBLY, PLASTIC Note: BASKET, SPIN	10	1
11	35-2978	SEAL, TUB/HOUSING	10	1
12	22002742	TUB, OUTER Note: TUB ASSEMBLY	10	1
13	22002736	TUB COVER ASSY. (TUB TOP) Note: TOP, TUB	10	1
14	21001599	DISPENSER, FABRIC SOFTENER Note: (INCL. DISPENSER CUP)	10	1
15	22003285	HOSE, TUB TO PUMP	10	1
-	22003458	BLOCK, TUB (ATL)	10	1

*Color Code (-)=Not Shown #=Series, Serial Prefix or Run No., N=Not Available

Section: BASE

Model: MAV7357AWQ



LW10-22

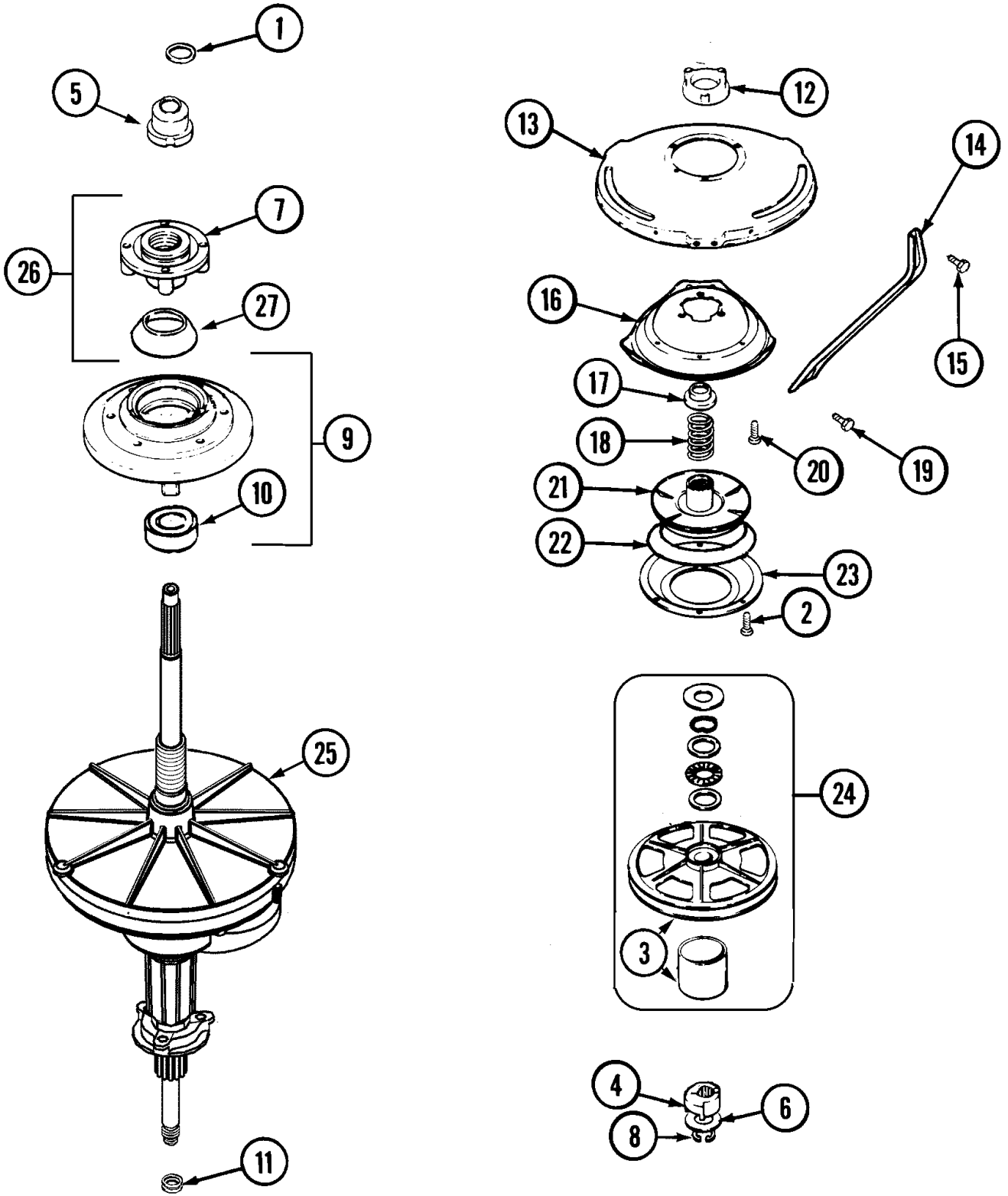
Section: BASE

No.	Part No.	Description	Series	Qty
1	22004376	SPRING, MOTOR PIVOT	10	1
2	21001516	MOTOR & PULLEY ASSY.	10	1
3	22002019	SCREW Note: SCREW, MOTOR TO MOTOR COVER	10	2
3	22002721	SHIELD, MOTOR	10	1
4	21001873	PUMP	10	1
-	22004055	SCREW HEX HD PUMP TO BASE	10	3
5	25-7833	SCREW Note: SCREW, MOTOR/BASE	10	2
6	25-7834	WASHER Note: WASHER, MOTOR/BASE SCREW	10	2
7	33-9946	ISOLATOR, MOTOR	10	2
8	35-3570	WASHER, MOTOR PIVOT Note: WASHER, PIVOT	10	2
9	21001366	PLATE, MOTOR	10	1
-	35-2065	PAD, MOTOR PLATE	10	1
-	22004348	SLIDE, MOTOR PIVOT Note: FOOT SLIDE, ISOLATOR	10	2
10	35-3646	ISOLATOR, MOTOR PLATE	10	3
11	25-7831	SPACER Note: SPACER, MOUNTING	10	2
12	22004297	PULLEY Note: FOR MOTORS BUILT AFTER 8-18-03	21	1
12	21001506	PULLEY, MOTOR-60 HZ Note: FOR MOTORS BUILT BEFORE 8-18-03	10	1
13	22002853	CLAMP, HOSE Note: CLAMP, HOSE	10	2
14	35-3571	SLIDE, MOTOR PIVOT Note: SLIDE, MOTOR	10	2
15	33-9967	WASHER, MOTOR ISOLATOR	10	2
16	25-7047	WASHER, FLAT	10	2
17	25-7325	NUT, MOTOR PLATE ASY TO MOTOR Note: NUT, MOTOR PLATE ASSEMBLY	10	2
18	21001598	SPRING, SUSPENSION	10	6
19	21001166	HOOK, SUSPENSION SPRING	10	3
20	21001754	BAR, STABILIZER	10	1
21	35-2046	BRACKET, STABILIZER	10	2
23	35-3020	FOOT PAD ASSY. (REAR) Note: FOOT & PAD ASSEMBLY (REAR)	10	2
24	33002190	SCREW (#10-3/8")	10	3
25	22003390	BASE (AS PACKED)	10	1
25	22003511	INSULATION	10	1
26	25-7845	SPEEDNUT Note: SPEEDNUT, MOTOR	10	2
27	22003285	HOSE, TUB TO PUMP	10	1
28	25001119	FOOT & PAD ASSEMBLY Note: FOOT & PAD ASSEMBLY (FRONT)	10	2
29	N 25-7951	WASHER, SUSPENSION HOOK	10	3
30	22003483	BELT, DRIVE	10	1
31	25-7830	SPACER	10	2
32	33002190	SCREW (#10-3/8") Note: SCREW, J HOOK TO CABINET	10	2
32	22002239	CLIP, LOWER FRONT PANEL	10	2
-	22002966	U-NUTS, TINNEMAN (FRT PNL)	10	2
33	22002782	PAD, FOAM (SOUND DAMPENER)	10	4

*Color Code (-)=Not Shown #=Series, Serial Prefix or Run No., N=Not Available

Section: TRANSMISSION

Model: MAV7357AWQ



LW15-41

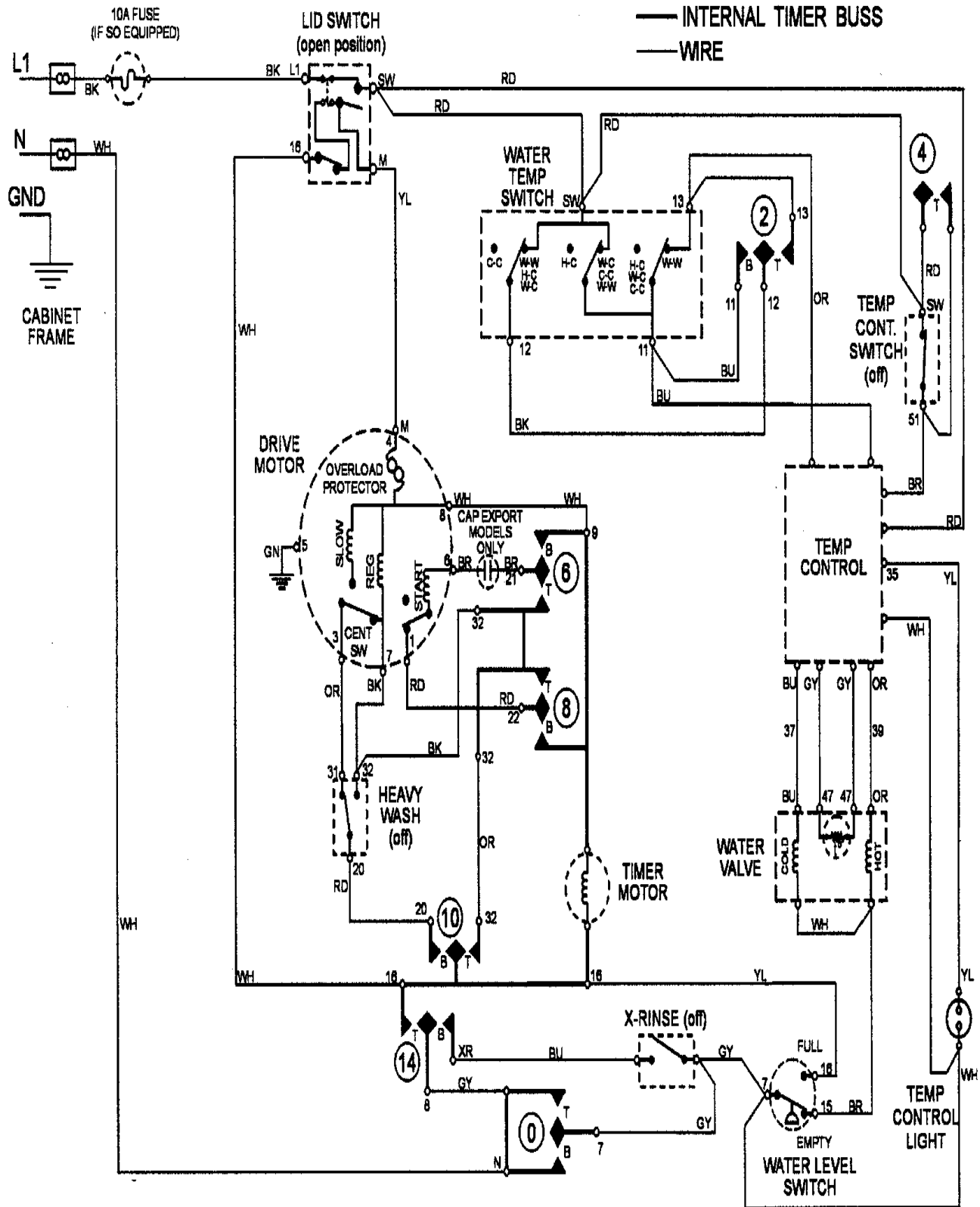
Section: TRANSMISSION

No.	Part No.	Description	Series	Qty
1	25-7941	"O" RING Note: "O" RING, AGTR DRIVE SHAFT	10	1
2	21001065	SCREW,#10-24X.50 HXNIBHD Note: SCREW, STATOR	10	6
3	12001797	KIT, PULLEY & DUST CAP	10	1
4	LA-2007	CAM REPLACEMENT KIT	10	1
5	21001533	SEAL NUT ASSEMBLY	10	1
6	35-2082	WASHER,1.25ODX.530IDX.062 Note: WASHER, FLAT	10	1
-	35-2132	WASHER,1.25ODX.530IDX.032 Note: WASHER, FLAT	10	1
7	21001515	BASKET HUB ASSEMBLY	10	1
8	25-7854	RING, RETAINING	10	1
9	12001598	TUB SEAL ASSEMBLY	10	1
10	35-2205	BEARING, SPIN	10	1
11	35-2010	SEAL,TRANSMISSION HOUSING(LIP)	10	1
-	35-2205	BEARING, SPIN	10	1
12	21001511	HOUSING/LWR.BEARING ASSY.	10	1
13	21001518	SUPPORT, TUB	10	1
14	21001532	BRACE, TUB	10	3
15	25-7895	SCREW, SUSP HSG TO LWR BRG ASY Note: SCREW, TUB BRACE	10	6
16	21001163	HOUSING, SUSPENSION	10	1
17	35-2017	RETAINER, BRAKE SPRING	10	1
18	31001285	SPRING, BRAKE	10	1
19	25-7930	SCREW 5/16-18X3/4 Note: SCREW, TUB BRACE	10	6
20	21001509	SCREW,HIGH PERFORMANCE PLASTIC Note: SCREW, SUSPENSION HOUSING	10	3
21	35-2948	BRAKE ROTOR & LINING ASSY Note: BRAKE ROTOR & LINING ASSEMBLY	10	1
22	21001161	SNUBBER	10	1
23	35-2018	STATOR, BRAKE	10	1
24	12500036	THRUST BEARING KIT	10	1
25	21001536	TRANS. ASSY.(W/O SEAL/BEARING)	10	1
-	N 33-6615	SWITCH PUSHBUTTON	16	1
-	21001867	HT TRANS/SEAL HUB ASSEMBLY Note: HT TRANS/SEAL HUB PILOT	11	1
26	21001508	HOUSING/BEARING ASSY.	10	1
-	21001868	SEAL HUB ASSEMBLY (HT TRAN)	16	1
-	21001868	SEAL HUB ASSEMBLY (HT TRAN) Note: SEAL HUB ASSEMBLY PILOT	11	1
27	35-2974	TUB SEAL/HUB ASSY (HT TRANS)	10	1

*Color Code (-)=Not Shown #=Series, Serial Prefix or Run No., N=Not Available

Section: WIRING INFORMATION

Model: MAV7357AWQ



15002813

Section: SUPPLEMENTAL INFORMATION

No.	Part No.	Description	Series	Qty
-	22003426	GUIDE, ENERGY	10	1
-	22003864	WIRE HARNESS	10	1
-	22003866	USER GUIDE	10	1
-	22003061	CORD, POWER (AS WRAPPED)	10	1
-	33002053	GROMMET, CORD	10	1
- N	15002959	WIRING INFORMATION	10	1
-	20001120	PLIERS, QB PRODUCTS HOSE	10	1
-	12002012	BRAKE/BEARING TOOL (COMPLETE)	10	1
-	20000021	LIP SEAL TOOL KIT	10	1
-	20001120	PLIERS, QB PRODUCTS HOSE	10	1
-	22002898	TOOL, SEAL NUT	10	1
-	22002922	TOOL, SPRING REMOVAL	10	1
-	35-2968	SPANNER WRENCH BASKET DRIVE HU	10	1
- N	038183	ELECTRICAL TEST CORD	10	1
- N	20001057	MOVER, APPLIANCE	10	1
-	20001069	MULTI-WRENCH, FLAT	10	1

*Color Code (-)=Not Shown #=Series, Serial Prefix or Run No., N=Not Available

